

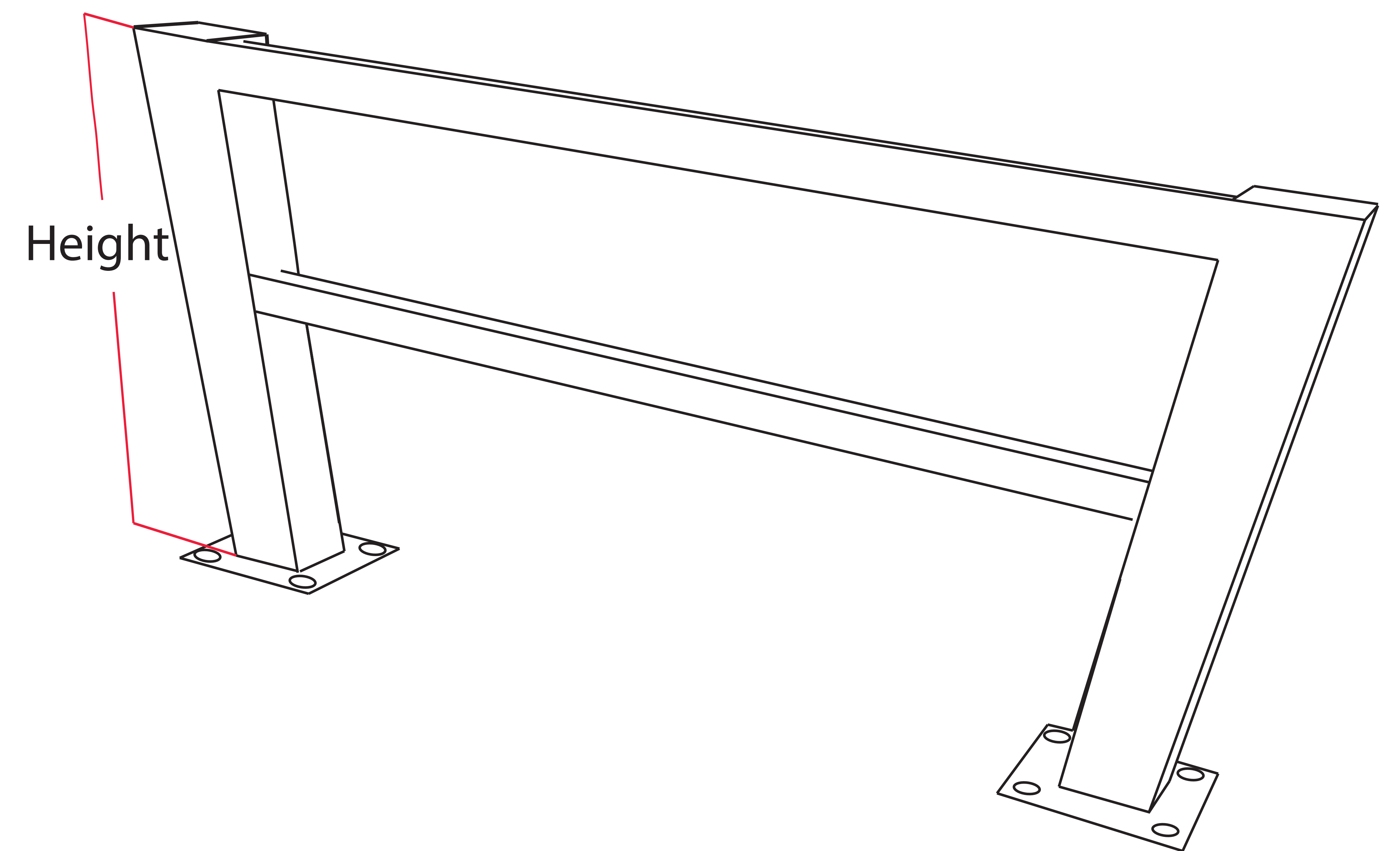
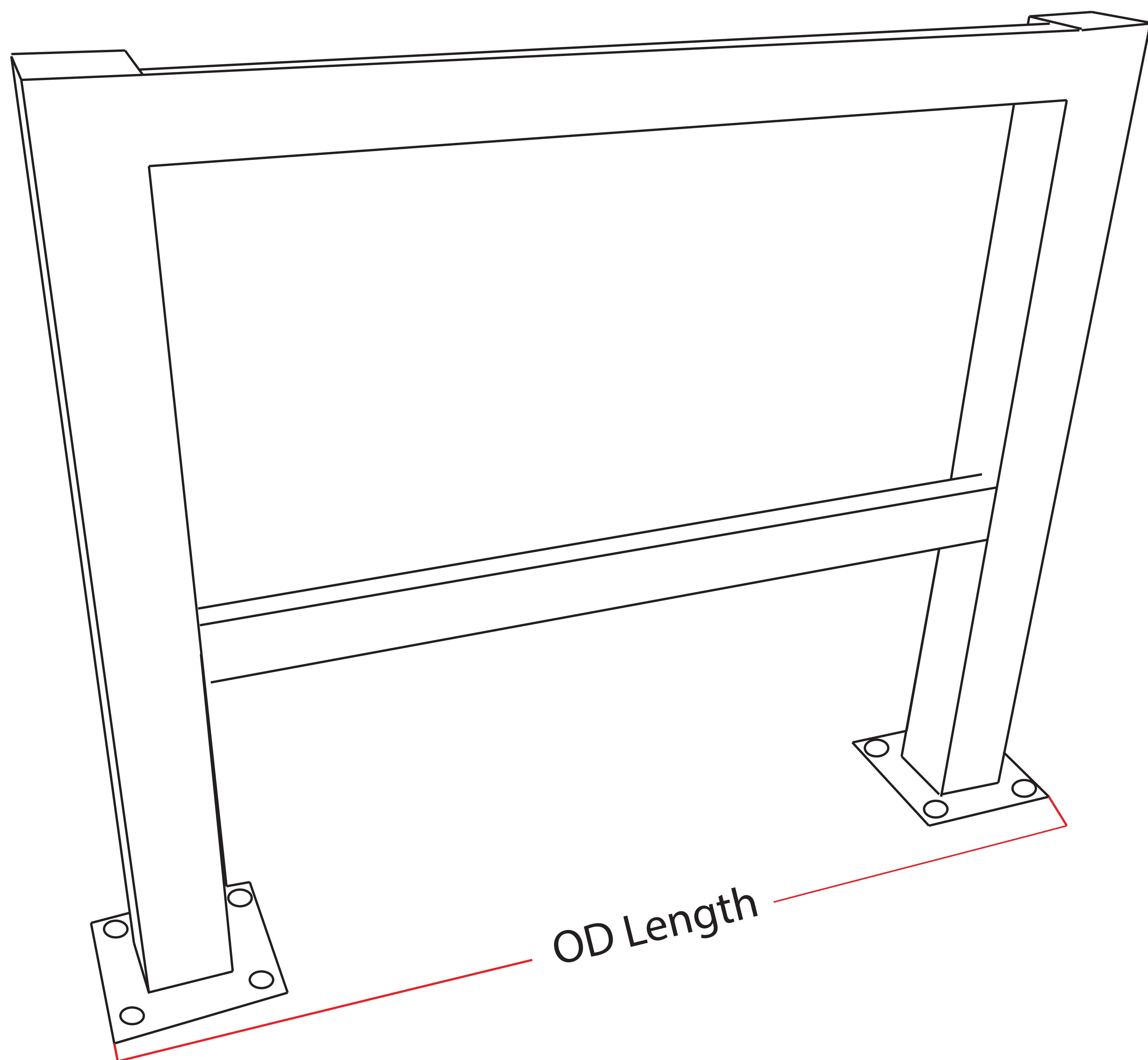


Medlin Ramps  
14903 Marquardt Ave  
Santa Fe Springs, CA 90670

# FAX PURCHASE ORDER

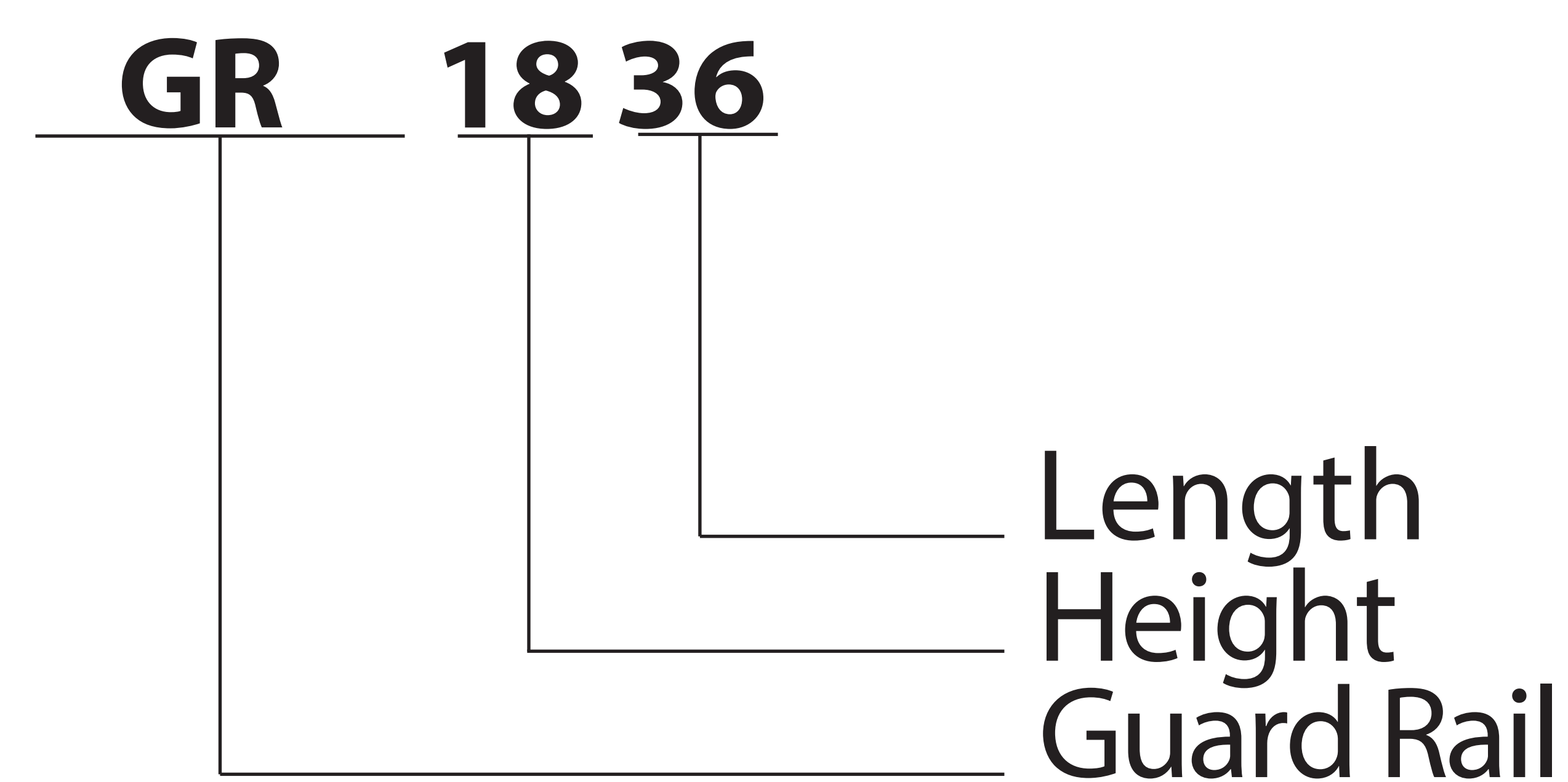
Fax: (562)229-1901

Company Name:	
Contact Name:	
Address:	
Phone Number:	
Email:	
PO:	Via Shipping: Will Call / Freight



Knowing that safety is one of the highest priorities for any warehouse, Medlin all steel guard will be at the top of the list. Perfect for offices and personnel that are functioning in the forklift traffic areas of the warehouse. Our heavy duty double rail design is sure to keep your offices and personnel safe. Comes standard in safety yellow for high visibility. Standard heights are 18" and 42" and lengths from 3' to 5'. Custom sizes also available upon request. Modular sizes make ordering easy. Need a large scale design? Let your Medlin representative help you design the right system for your warehouse. Comes with 4 hole base plates.

18" High	GR 1836	Height: 18   Length: 36	\$ 129.99
	GR 1848	Height: 18   Length: 48	\$ 179.99
	GR 1860	Height: 18   Length: 60	\$ 219.99
	GR 1872	Height: 18   Length: 72	\$ 249.99
42" High	GR4236	Height: 18   Length: 36	\$ 159.99
	GR4248	Height: 18   Length: 48	\$ 209.99
	GR4260	Height: 18   Length: 60	\$ 259.99
	GR4272	Height: 18   Length: 72	\$ 309.99



Model#: \_\_\_\_\_ QTY: \_\_\_\_\_

Custom Size: \_\_\_\_\_ QTY: \_\_\_\_\_  
(Height x Length)